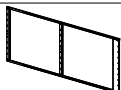







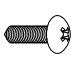
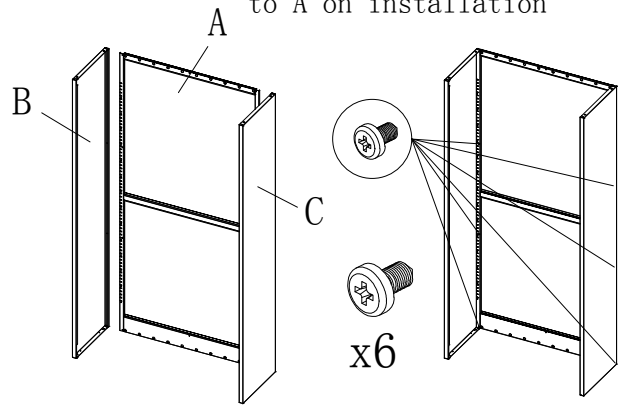


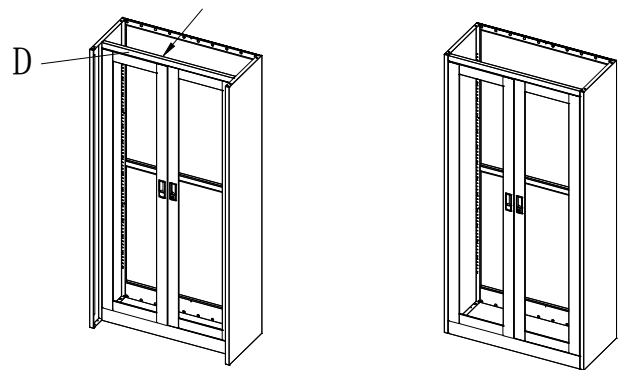
FC-B18 Installation Instructions

Part ID	Description	Illustration	Qty
A	Back		1
B	Left side plate		1
C	Right side plate		1
D	Front frame		1
E	Roof		1
F	Backplane		1
G	Shelf buckle		16
H	Shelf		4
I	Self-tapping		13

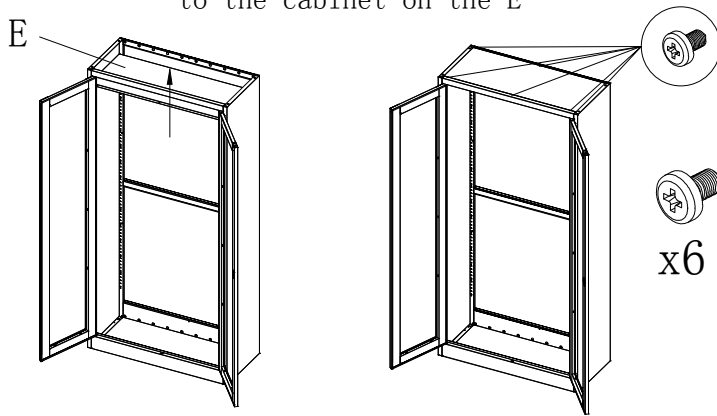
1. Shown with screws to B, C to A on installation



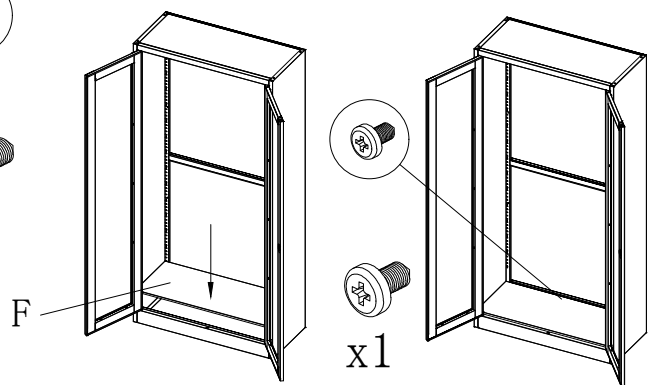
2. Figure D is mounted to the B, C on the



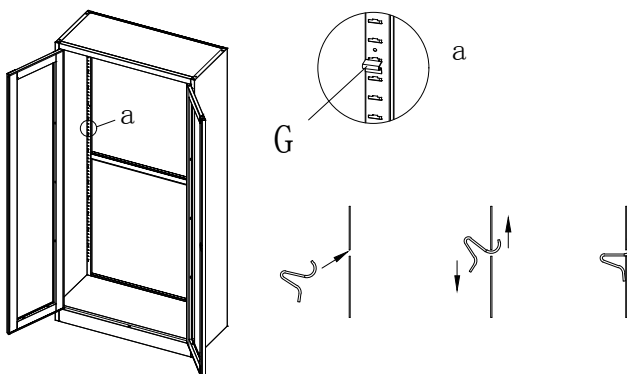
3. Figure mounted with screws to the cabinet on the E



4. Figure F Mounting with screws to the cabinet on the



5. Figure installing G, pay attention to adjust spacing



6. Finally, the H into G on (installed)

